

**FUJIFILM**

OFFICIAL IMAGING SPONSOR  
OF WORLD CUP FRANCE 98



*New*

## COMPACT COLOR SCANNER **CS-1**

Just keep the Compact Color Scanner CS-1 at hand, and you'll be ready to organize your paperwork. From scanning and faxing to color copying and OCR conversion, it's the all-in-one document management tool that's amazingly small and surprisingly powerful.



ORGANIZE WITH EASE

# YOUR FULL-TIME ASSISTANT

Correspondence, pictures, articles, memos . . . If they're piling up, this ultracompact and very affordable sheetfed scanner can help you clear your desk. Everyone will be impressed with the high-quality color reproduction, and the included software has integrated links for faxing, copying and OCR conversion. And don't forget how convenient it is to send scans with your e-mail. The CS-1 makes it all simple, fast and friendly.



## High Quality

When you see the quality of the CS-1's input, you might wonder how this small sheetfed scanner can give you colors as rich and accurate as the ones you get with most flatbed models. One key is optical resolution of 300 dpi. To capture every subtlety, it also has impressive 30-bit scanning (10 bits for each RGB color in a pixel).

Fujifilm's exclusive Color Contact Image Sensor (CIS) captures all the details of images and text. When you use a digital printer, you'll also see how Fujifilm's pioneering research into color technologies ensures that the output reproduces the nuances, especially in the shadows.

**CS-1**  
300 dpi input



**Other sheetfed scanner**  
300 dpi input



Note: Both samples printed with a 720-dpi inkjet printer.

## Fast Input

Much faster than similar scanners, the CS-1 means business all the way. Since it uses a Color Contact Image Sensor — instead of the typical CCD image sensor requiring a fluorescent light source — it's ready as soon as you turn it on. Scanning is as easy as pushing the start button on the launcher screen. And the high-speed data transfer ensures you'll be working instead of waiting.

Measuring 276 60 123 mm/10.9 2.4 4.8 in., the stylish and ultracompact CS-1 will take up only a minimum of space at your desk. But with its trim lines, it's big enough to scan most of the items you handle daily. Use it to input small business cards or paper up to A4/legal size. And, of course, it's perfect for photographs.

Full color (photo at 300 dpi) 3R size (127 89 mm/5 3.5 in.)	Black and white (text at 300 dpi) A4 size (210 297 mm/8.3 11.7 in.)
<b>13 sec.</b>	<b>11 sec.</b>

Note: CPU of MMX® Pentium®, 200MHz/EPP Mode on TWAIN driver



**Only 276 60 123 mm**

# Easy to Use



## IMAGE INPUT



Even though the CS-1 is an efficient business tool, you'll come to think of it as a friend. It's as easy to operate as a fax machine, so don't worry if you've never used a scanner before.

Just install the bundled TaskBridge management software, and click on the application. Then all you have to do is push the button for the function you want and follow the instructions on the screen. The kit even includes a protective sleeve for photos (the kind of thoughtful touch you expect from a company as serious about photography as Fujifilm).

When you push the Photo button, the CS-1 will start scanning automatically. When input is finished, the data are transferred to the PhotoSuite™ application.



MGI® PhotoSuite SE™ included!

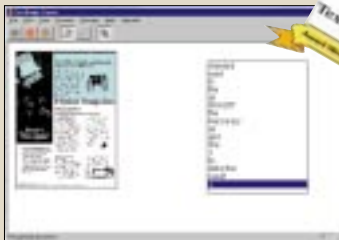


You can use the CS-1 for input to any other TWAIN-compliant application.

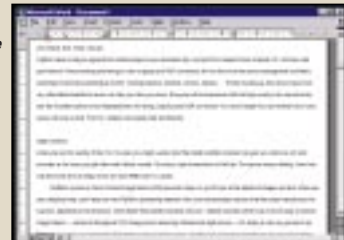


Edit your scan with the many image processing tools, and use the templates to create original greeting cards. The image management function makes it easy to organize an electronic photo album.

## TEXT CONVERSION



XEROX® TextBridge included!



Push the Text button, and TextBridge will launch after a document is scanned. Widely known for its accuracy, this OCR program is an invaluable aid that can save you a lot of bother and time when you're preparing reports, for example.

When the OCR processing is done, your favorite word processing program will open automatically so you can edit the text or simply save it.

## FAX & COPY FUNCTIONS

If you have a fax modem and the fax driver software is installed, push the Fax button. The CS-1 will scan the pages, and your fax program will launch automatically. Then send the fax just as you would any other time. If you push the Copier button, the CS-1 will automatically start scanning, as long as your PC is connected to an inkjet or other color printer. Immediately after scanning, the printer driver is activated to output the copy.

**It's easier to keep track of your scans since the materials have to face up when they're input.**



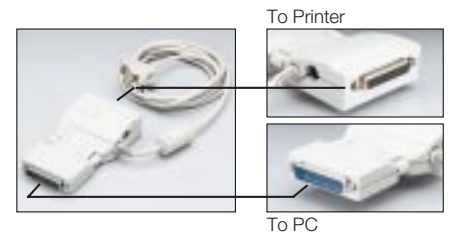
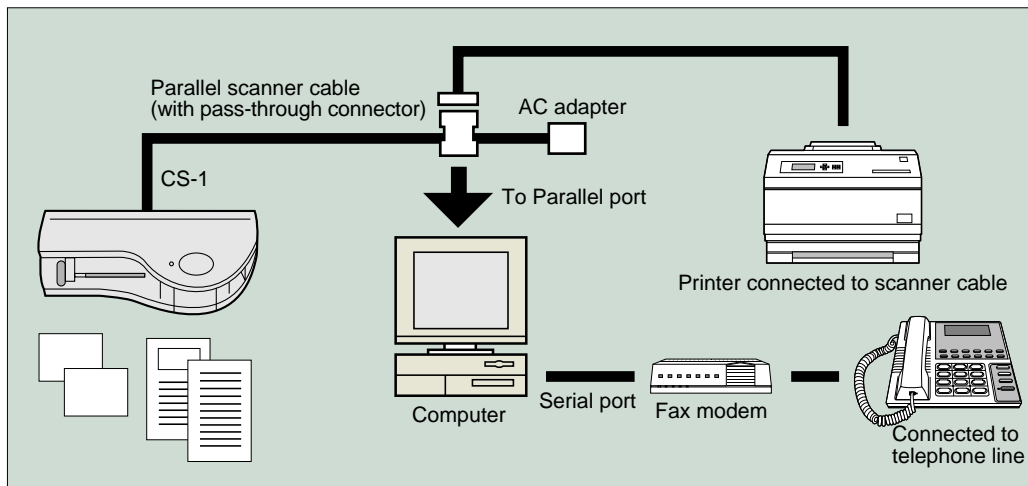
# SPECIFICATIONS

## COMPACT COLOR SCANNER CS-1

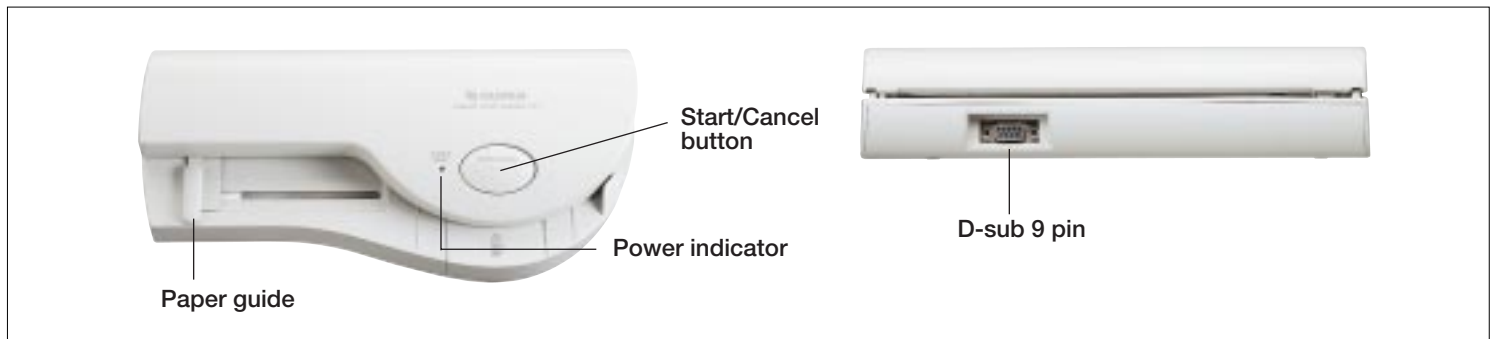
<b>Type</b>	Sheetfed color scanner		<b>System requirements</b>	<ul style="list-style-type: none"> <li>• CPU of 80486DX2-66MHz, Pentium® or higher</li> <li>• RAM of 16MB or more</li> <li>• Windows® 95 or Windows® 3.1x</li> <li>• 40MB hard disk space available for software installation</li> <li>• CD-ROM drive</li> <li>• Printer port</li> </ul>
<b>Optical sensor</b>	Color Contact Image Sensor (CIS)			
<b>Scanning method</b>	Single-pass sheetfed		<b>Included accessories</b>	<ul style="list-style-type: none"> <li>• Parallel cable (with pass-through connector)</li> <li>• AC power adapter</li> <li>• Software (CD-ROM)(TaskBridge for easy scanning operation, TWAIN driver for download, PhotoSuite SE™ from MGI® Software Corp., TextBridge for OCR from Xerox® Corp., Online manuals)</li> <li>• Calibration sheet</li> <li>• Photo-protective sleeve</li> </ul>
<b>Resolution</b>	Optical: 300 dpi Software enhanced: 2,400 dpi			
<b>Total depth</b>	Input	Output		
	30-bit RGB color	24-bit RGB color		
	10-bit gray-scale	8-bit gray-scale		
	1-bit b/w	1-bit b/w		
<b>Interface</b>	Parallel (EPP/SPP)			
<b>Scanning area</b>	Max. 216 356 mm/8.5 14 in. Min. 51 90 mm/2 3.5 in.			
<b>Power source</b>	AC 100 – 240 V, 50 – 60 Hz			
<b>Power consumption</b>	Approx. 10 W			
<b>Dimensions</b>	276 (W) 60 (H) 123 (D) mm/ 10.9 (W) 2.4 (H) 4.8 (D) in.			
<b>Weight</b>	Approx. 900 g/31 oz.			

Specifications are subject to change without notice.

## SYSTEM CONFIGURATION



The CS-1's pass-through connector keeps your printer port available. Simply put the connector in your PC's parallel port and then plug your printer cable into the open end of the connector.



Windows® is a registered trademark of Microsoft Corporation.  
All other trademarks are the property of their respective holders.